

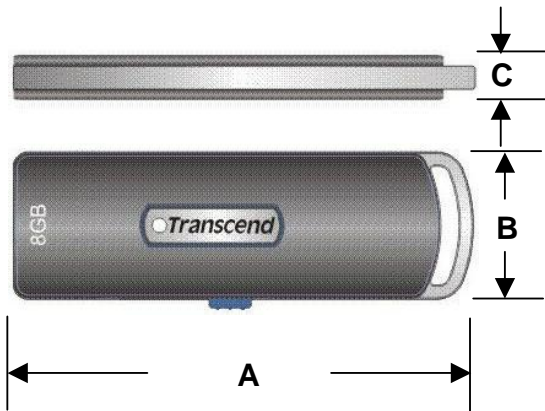
TS8GJFV10

8GB USB2.0 JetFlash®

Description

TS8GJFV10 is a 8GB USB Flash Drive with 2 pcs of 4Gx8 Flash Memory assembled on a printed circuit board.

Outline



Features

- Color: Black
- Elegant design with sliding USB connector
- USB 2.0 compatible, true Plug and Play
- Powered directly via the USB port. No external power or battery needed
- LED indicates the usage status of JetFlash®
- JetFlash® software pack includes (Windows 2000/XP/Vista only):
 - Favorites Function: store all your favorite website addresses on the JetFlash®
 - AutoLogin Function: automatically login to websites where you have a password
 - Secret-Zip Function: compress and/or password protect saved files using 256-bit AES encryption
 - PC-Lock Function: makes JetFlash® a key to your computer
 - E-Mail Function: use your JetFlash® to securely send, receive and save e-mails
 - DataBackup Function: backup, restore and synchronize your data

System Requirement

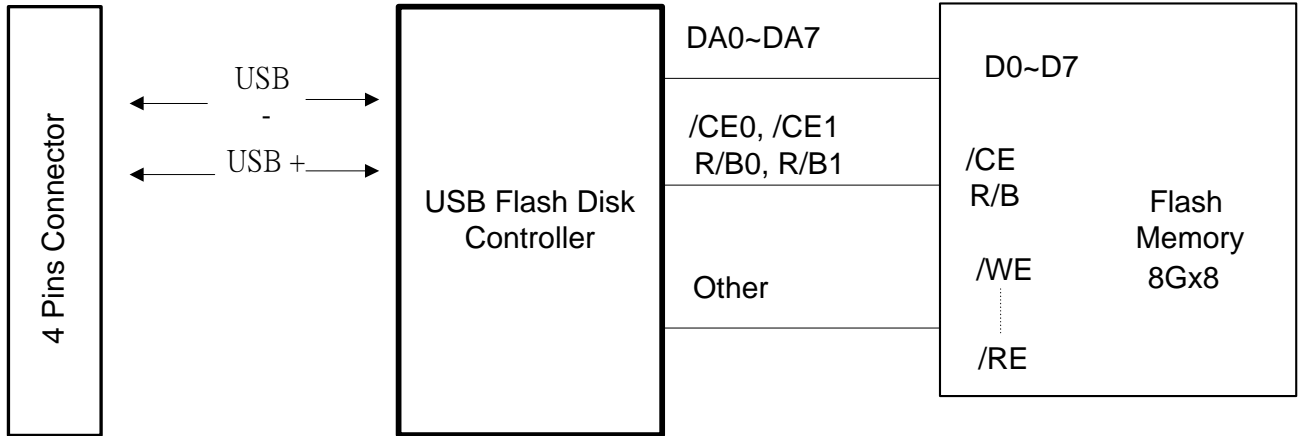
- Hardware: Desktop or notebook computer with USB port
- Operating System: Windows® Me, Windows® 2000, Windows® XP, Windows® Vista and Mac™ OS 9.0 or later, Linux™ Kernel 2.4.2 or later

Dimensions

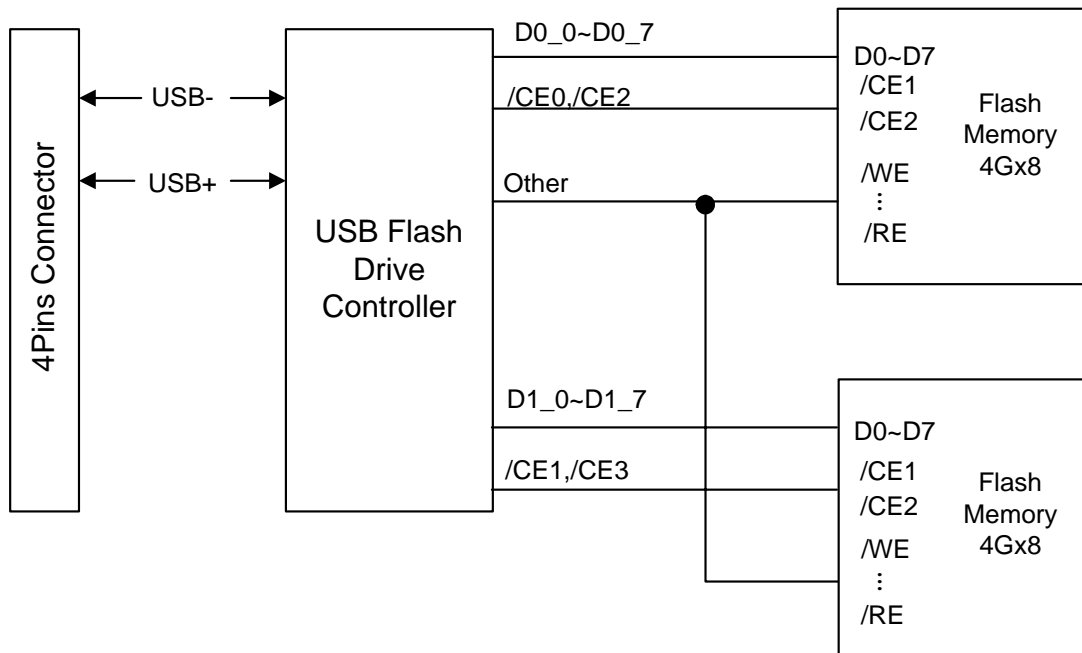
| Side | Millimeters | Inches |
|------|-------------|-------------|
| A | 64 ± 1.00 | 2.52 ± 0.04 |
| B | 21 ± 1.00 | 0.83 ± 0.04 |
| C | 10 ± 1.00 | 0.40 ± 0.04 |

Block Diagram

- With 1 pcs of 8Gx8 Flash Memory



- With 2 pcs of 4Gx8 Flash Memory



TS8GJFV10

8GB USB2.0 JetFlash®

Pinouts

| Pin No. | Pin Name |
|---------|----------|
| 01 | VCC |
| 02 | USB- |
| 03 | USB+ |
| 04 | VSS |

Pin Identification

| Symbol | Function |
|--------|---|
| USB- | USB differential signal: |
| USB+ | The pairs are used to transmit Data/Address/Command |
| VSS | Ground |
| VCC | USB power input |

Specifications

| Environment | | |
|----------------------|-----------|-----------------|
| Capacity | | 8GB |
| Temperature | Operating | 0 °C to 70 °C |
| | Storage | -20 °C to 75 °C |
| System Performance | Read | 20 MB/sec |
| | Write | 8 MB/sec |
| Power Requirement | Voltage | DC 5V ± 10% |
| | Current | Max 200mA |
| Data Retention | | 10 years |
| Connector Durability | | 10,000 times |
| Erase Cycles | | >10,000 times |
| Certificates | | CE, FCC, BSMI |

Above technical information is based on industry standard data and tested to be reliable. However, Transcend makes no warranty, either expressed or implied, as to its accuracy and assumes no liability in connection with the use of this product. Transcend reserves the right to make changes in specifications at any time without prior notice.