

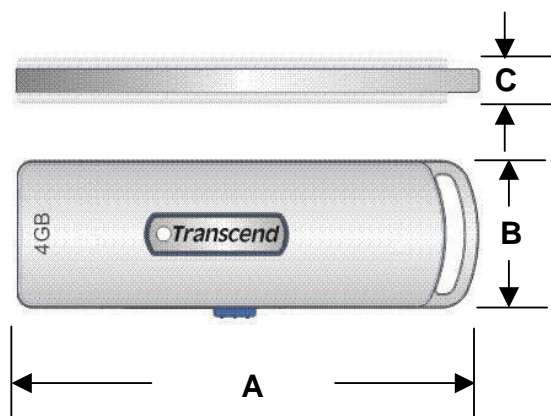
TS4GJFV10

4GB USB2.0 JetFlash®

Description

TS4GJFV10 is a 4GB USB Flash Drive with 1 pcs of 4Gx8 (or 2 pcs of 2Gx8) Flash Memory assembled on a printed circuit board.

Outline



Features

- Color : White
- Elegant design with sliding USB connector
- USB 2.0 compatible, true Plug and Play
- Powered directly via the USB port. No external power or battery needed
- LED indicates the usage status of JetFlash®
- JetFlash® software pack includes (Windows 2000/XP/Vista only):
 - Favorites Function: store all your favorite website addresses on the JetFlash®
 - AutoLogin Function: automatically login to websites where you have a password
 - Secret-Zip Function: compress and/or password protect saved files using 256-bit AES encryption
 - PC-Lock Function: makes JetFlash® a key to your computer
 - E-Mail Function: use your JetFlash® to securely send, receive and save e-mails
 - DataBackup Function: backup, restore and synchronize your data

System Requirement

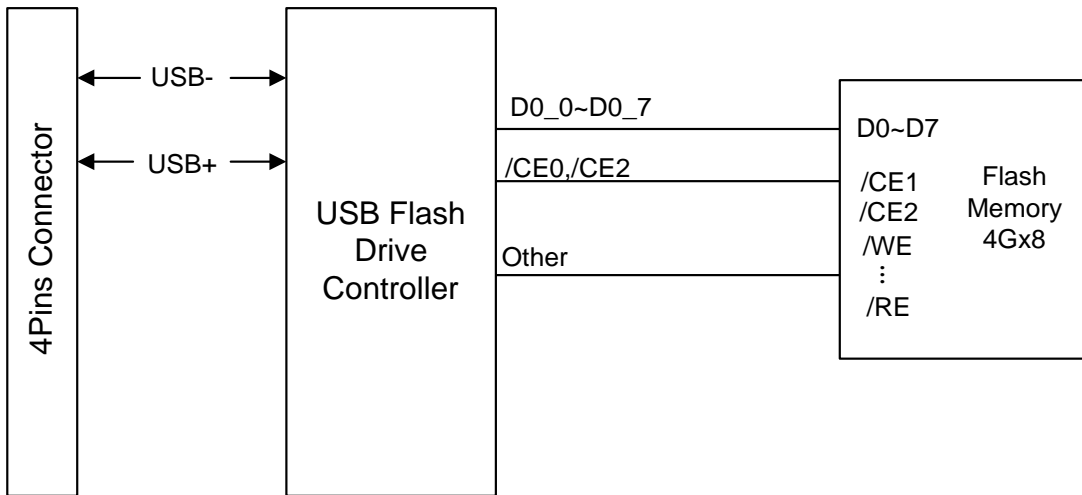
- Hardware: Desktop or notebook computer with USB port
- Operating System: Windows® Me, Windows® 2000, Windows® XP, Windows® Vista and Mac™ OS 9.0 or later, Linux™ Kernel 2.4.2 or later

Dimensions

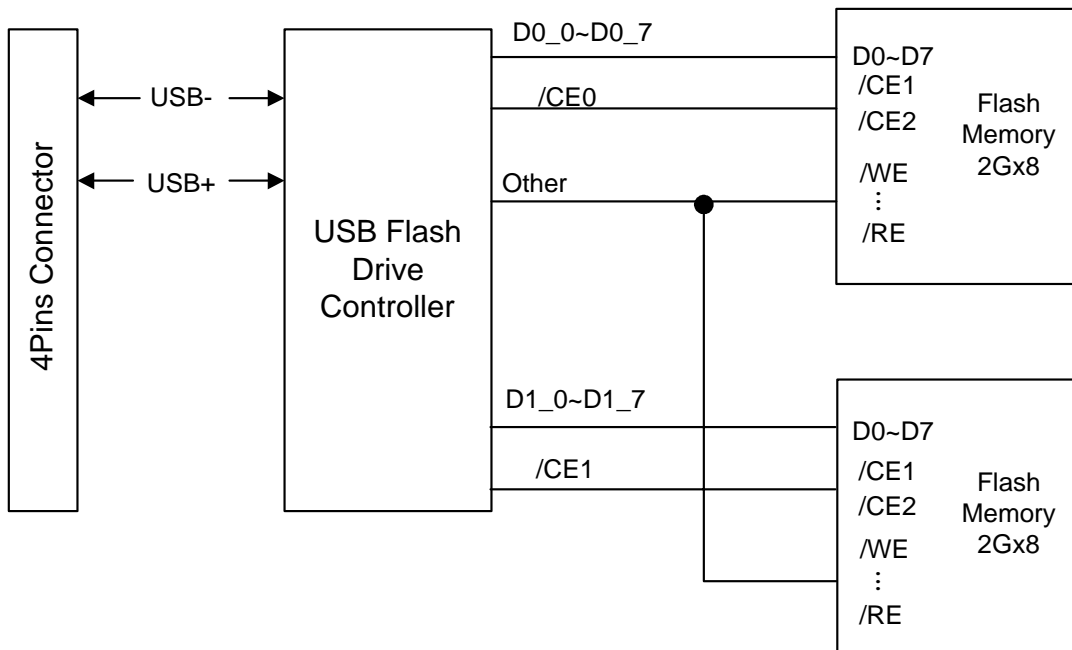
Side	Millimeters	Inches
A	64 ± 1.00	2.52 ± 0.04
B	21 ± 1.00	0.83 ± 0.04
C	10 ± 1.00	0.40 ± 0.04

Block Diagram

With 1 pcs of 4Gx8 Flash Memory



With 2 pcs of 2Gx8 Flash Memory



TS4GJFV10

4GB USB2.0 JetFlash®

Pinouts

Pin No.	Pin Name
01	VCC
02	USB-
03	USB+
04	VSS

Pin Identification

Symbol	Function
USB-	USB differential signal:
USB+	The pairs are used to transmit Data/Address/Command
VSS	Ground
VCC	USB power input

Specifications

Environment		
Capacity		4GB
Temperature	Operating	0 °C to 70 °C
	Storage	-20 °C to 75 °C
System Performance	Read	10 MB/sec
	Write	3 MB/sec
Power Requirement	Voltage	DC 5V ± 10%
	Current	Max 200mA
Data Retention		10 years
Connector Durability		10,000 times
Erase Cycles		>10,000 times
Certificates		CE, FCC, BSMI

Above technical information is based on industry standard data and tested to be reliable. However, Transcend makes no warranty, either expressed or implied, as to its accuracy and assumes no liability in connection with the use of this product. Transcend reserves the right to make changes in specifications at any time without prior notice.