

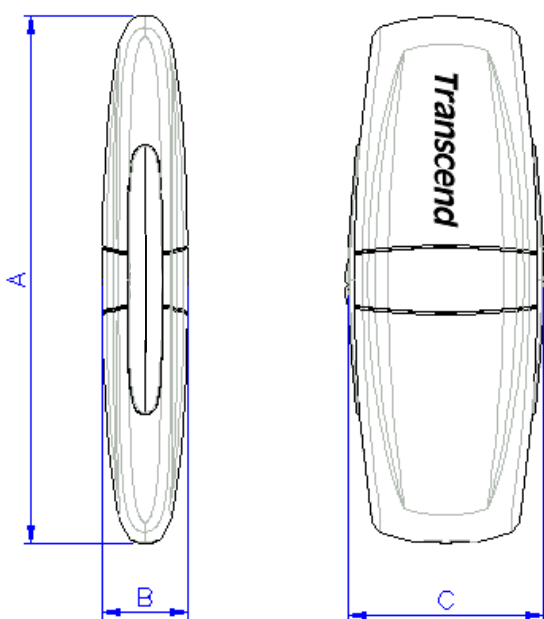
# TS2GJF2A

2GB USB2.0 JetFlash™2A

## Description

TS2GJF2A is a 2GB USB Flash Drive with 1pcs of 2Gbx8 (or 2pcs of 1Gbx8) Flash Memory assembled on printed circuit board.

## Outline



## Features

- Frame Color: Silver
- Fully compatible with hi-speed USB 2.0
- Easy Plug and Play installation
- USB powered. No external power or battery needed
- LED indicates the usage status
- Transcend elite software pack\*

## System Requirement

- Hardware: Desktop or notebook computer with USB port
- Operating System: Windows® 7/ Vista/ XP/ Me/ 2000 and Mac™ OS 9.0 or later, Linux™ Kernel 2.4.2 or later

## Dimensions

| Side | Millimeters | Inches      |
|------|-------------|-------------|
| A    | 75 ± 1.00   | 2.95 ± 0.04 |
| B    | 11 ± 1.00   | 0.43 ± 0.04 |
| C    | 25 ± 1.00   | 0.98 ± 0.04 |

## \*JetFlash software pack

| Function   |   |
|------------|---|
| Favorites  | store your favorite website addresses on the JetFlash |
| Secret-Zip | compress and/or password protect saved files          |
| PC-Lock    | makes JetFlash a key to your computer                 |
| E-Mail     | backup your e-mails                                   |
| DataBackup | backup, restore and synchronize your data             |

### Pinouts

| Pin No. | Pin Name | Function                |
|---------|----------|-------------------------|
| 01      | VCC      | USB power input         |
| 02      | USB-     | USB differential signal |
| 03      | USB+     |                         |
| 04      | VSS      | Ground                  |

### Specifications

|                      |   |
|----------------------|---|
| Storage Capacity     | 2GB**   |
| Connector Durability | 10,000 times                                  |
| System Performance   | Read: 16MB/sec (max.), Write: 12MB/sec (max.) |
| Wear-leveling        | Dynamic                                       |
| Power Supply         | DC 5V±10%, Max current : 200 mA               |
| Temperature Range    | Operation: 0-70°C, Non-Operating: -20°C-75°C  |
| Certificates         | CE, FCC, BSMI                                 |

Above technical information is based on industry standard data and tested to be reliable. However, Transcend makes no warranty, either expressed or implied, as to its accuracy and assumes no liability in connection with the use of this product. Transcend reserves the right to make changes in specifications at any time without prior notice.

\* 1GB = 1 billion bytes. A certain portion of the storage capacity may be reserved for firmware and maintenance use.