

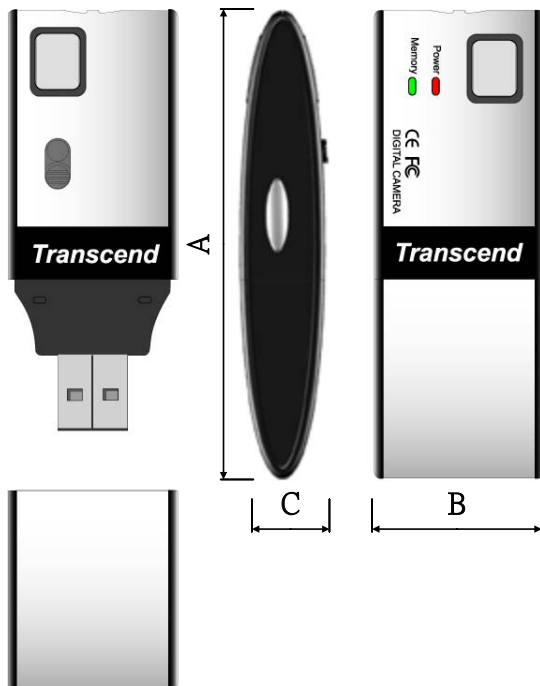
TS128MJF-DSC

128MB JetFlash™

Description

TS128MJF-DSC is a 128MB USB Flash Drive with 1 pcs of 128Mx8 Flash Memory assembled on the printed circuit board. It combines a USB Flash Drive with the function of a Digital Camera. Easily fitting into a pocket or purse, the Digital Camera function lets you take pictures anytime you want.

Outline



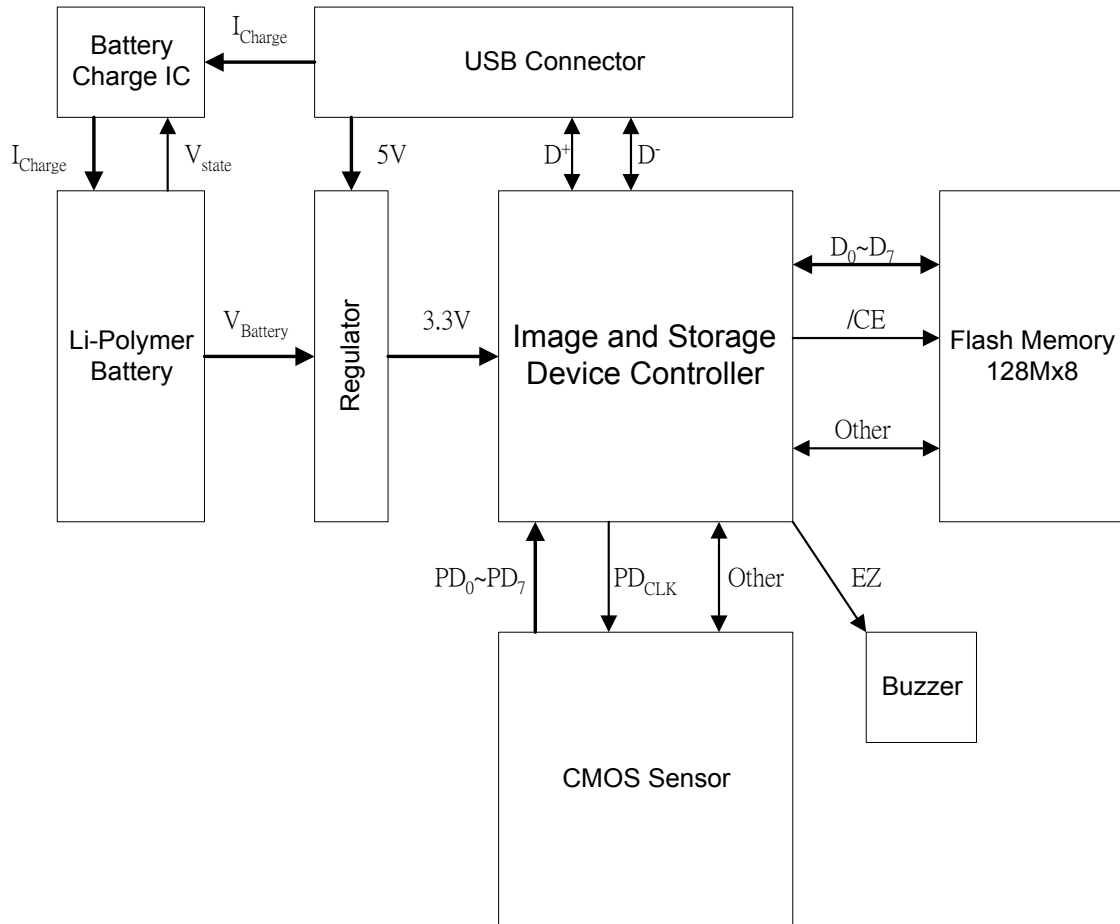
Features

- USB Interface: Compliant with USB specification 1.1
- Driverless (only Windows® 98SE needs the enclosed driver)
- Camera Function: Enhance up to 1.3M pixel image quality
- Direct battery recharging via USB port
- LEDs indicate the power and storage status

Dimensions

Side	Millimeters	Inches
A	80.00 ± 1.00	3.14 ± 0.04
B	29.00 ± 1.00	1.14 ± 0.04
C	16.00 ± 1.00	0.62 ± 0.04

Block Diagram



Pinouts

Pin No.	Pin Name
01	VCC
02	USB-
03	USB+
04	VSS

Pin Identification

Symbol	Function
USB-	USB differential signal: The pairs are used to transmit Data/Address/Command
USB+	
VSS	Ground
VCC	USB Power Input

TS128MJF-DSC

128MB JetFlash™

Specifications

Host Interface:	USB 1.1
Storage Capacity:	128MB
Dimension:	29 (W) x 80 (L) x 16 (H) mm
Weight:	26g
Sensor Resolution:	640 X 480 pixels (VGA)
Optical Image Size:	1/4"
Optical Lens:	Fixed focus length
Lens Specification:	F2.8 ; View angles 53°
Focus Range:	45cm ~ infinity
White Balance:	Auto
Built-in Battery:	Lithium Polymer Battery
Shot to Shot Time:	Under 2 seconds
Power On Time:	Under 3 seconds
Battery Charge Time:	Under 2 hours
Data Retention:	10 years
Connector Durability:	10,000 times
Media Transfer Rate:	Read: 550 Kbyte/sec (Max.), Write: 400 Kbyte/sec (Max.)
Temperature Range:	Operation: 0°C - 45°C, Storage: -10°C - 60°C
Certificates:	CE, FCC, BSMI

Maximum Ratings

Symbol	Characteristic	Value	Unit
T _{STG}	Storage Temperature	-10 to +60	°C
T _{OP}	Operating Temperature	0 to +45	°C
V _{IN}	DC Input Voltage	2.6 to 3.3	V
I _{IN}	Maximum Current	80	mA
V _{ESD}	Static Discharge Voltage (human body mode)	-3.5 to +3.5	KV
V _{ESD}	Static Discharge Voltage (machine mode)	-250 to 250	V

DC Electrical Characteristics

Symbol	Parameter	Min.	Typ.	Max.	Unit
Supply					
V_{DD}	Digital Power Supply	4.5	5.0	5.5	V
V_{DDA}	Analog Power Supply	4.5	5.0	5.5	V
USB Bus: DP and DM					
V_{CP}	Regulated Voltage Output	3.0	3.3	3.6	V
V_{DI}	Static Input Voltage	0		VCP	V
V_{DO}	Static Output Voltage	0		VCP	V
Digital I/O Pins					
V_{IL}	Input Logic Low Voltage			0.8	V
V_{IH}	Input Logic High Voltage	1.6		1.8	V
V_{OL}	Output Logic Low Voltage			0.4	V
V_{OH}	Output Logic High Voltage	1.6		1.8	V

Above technical information is based on industry standard data and tested to be reliable. However, Transcend makes no warranty, either expressed or implied, as to its accuracy and assumes no liability in connection with the use of this product. Transcend reserves the right to make changes in specifications at any time without prior notice.